

PS2 - Outside view

MMDVM Filter shield (F5UII)			Connection Motorola transceiver to MMDVM		Motorola 16 pins GM340, GM350*, GM360	
PS2 Pin N°	Signal	Wire color (PS2 cable shopchip)	RX Receiver	TX Transmitter		
1	Data terminal ==> flat TX audio input	Red		pin 5		
2	data ground	Orange	pin 7	pin 7		
3	PTT TX input	Brown		pin 3 (GP1)		
4	Data RX (flat) ==> terminal	Yellow	pin 11			
5 **	RSSI => terminal**	Black	pin 15	pin 15		
6	squelch radio output (COR)	Green	pin 8 (GP3)			
shielding	Ground	Uninsulated wire				
Connect to the + 12 V to switch on the TRX on voltage return (without activating power button)			pin 10	pin 10		

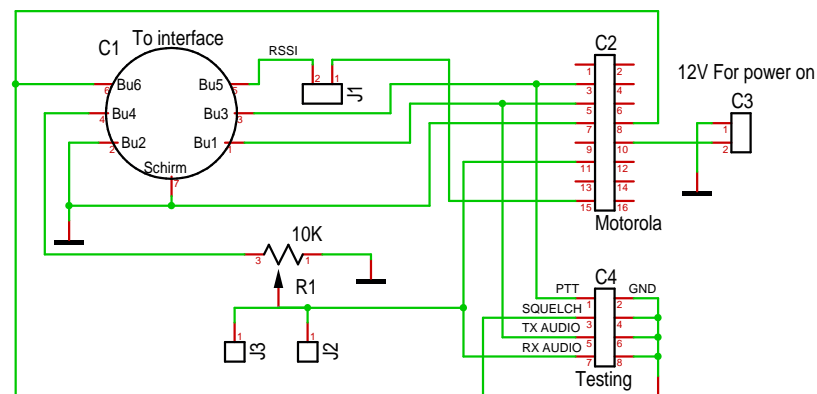
20	2	4	6	8	10	12	14	16	18
19	1	3	5	7	9	11	13	15	17

HLN9457a - Outside view

For GM360 pins 17,18,19,20 are not wired
The connector is centered

* For the 4-channel GM350, the wiring on the rear accessory plug is not realized. A mod exists.

** RSSI not provided on the filtering board MMDVM F5UII 07.2016 (future development)



C1 : Mini Din 6 pin to MMDVM (or other) interface

C2 : Motorola GMxxx transceiver accessory connector

C3 : Permit to restart the transceiver when power supply is coming back after a hard shutdown. Place the 12V and GND from supply. Attention to polarities

C4 : Is a testing connector. Available by row Ground signal and the usefull signal (PTT, SQUELCH, AUDIO TX, AUDIO RX)

R1 : Adjustment for Rx Audio level coming from transceiver and send to the interface

J1 : Allow the RSSI signal coming from transceiver to the Pin 5 of mini Din.

J2, J3 are just holes that can be used to place fixed value resistors instead of R1 potentiometer

Date: 14-01-17

Scale: 101,38%

Project:

Features

- Audio level adjustment
- Testing pins
- RSSI pin
- Power re-ignition pins

Name: Chris F5UII <https://shop.f5uii.net> <https://www.f5uii.net> twitter : @f5uii

Interface for Motorola transceivers
(Designed for example for MMDVM shield)
<https://www.f5uii.net/en/category/mmdvm/>

last Modification: 14.01.17 Edition 1.0