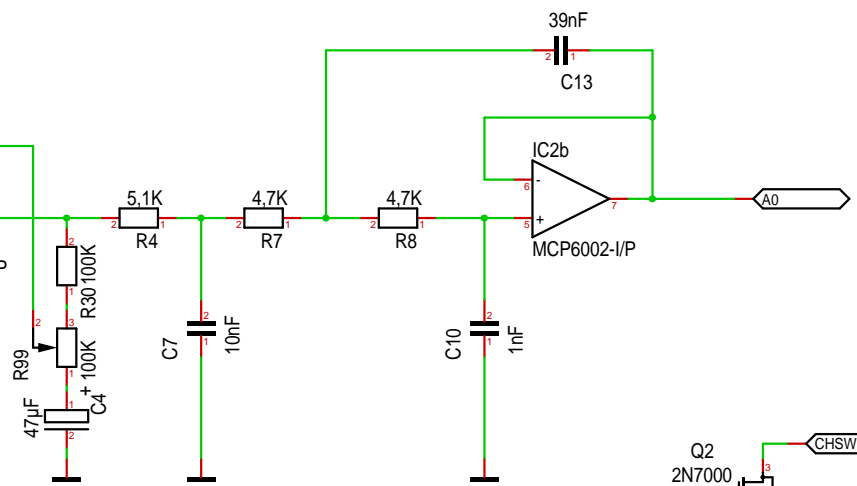
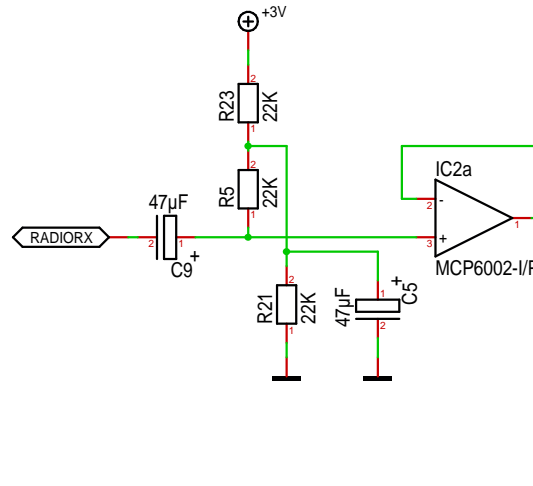
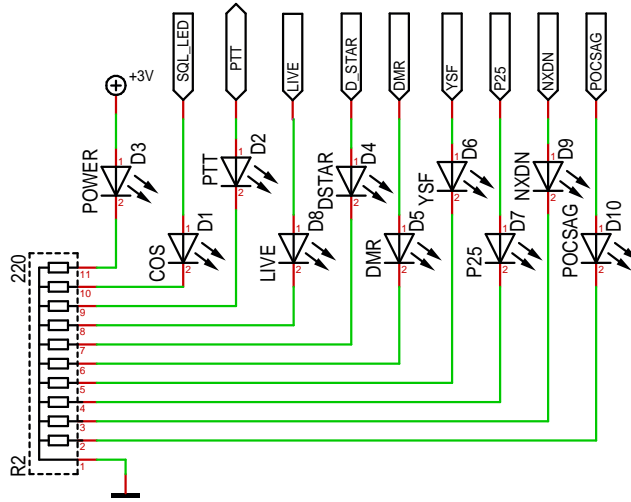
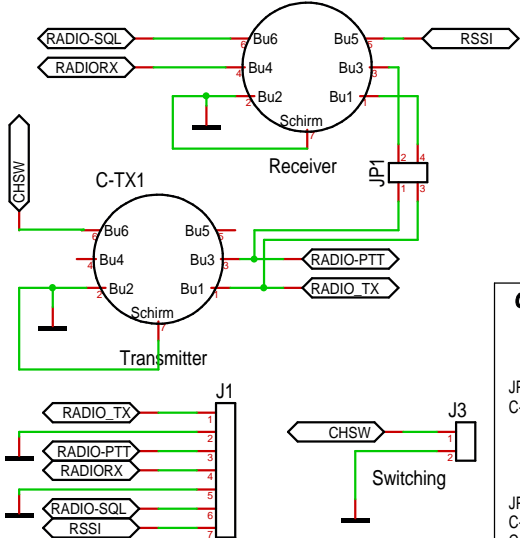


**ATTENTION :**  
 SSI level must not be over 3.3 V  
 Determine the voltage divider and R24, R25 values  
 according the maximum level of RSSI (Here max 5V)

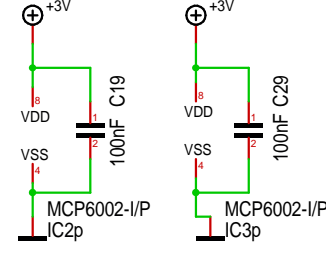
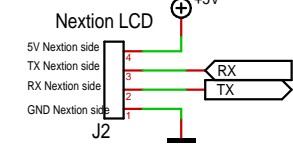
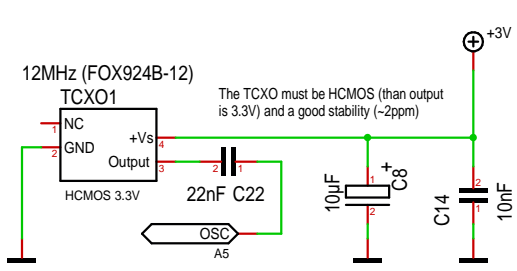
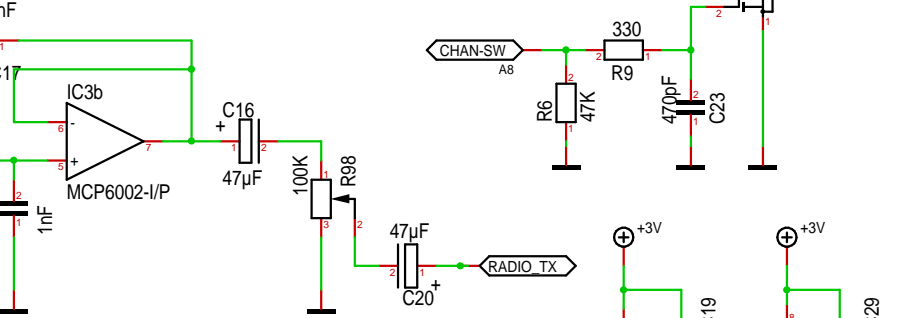
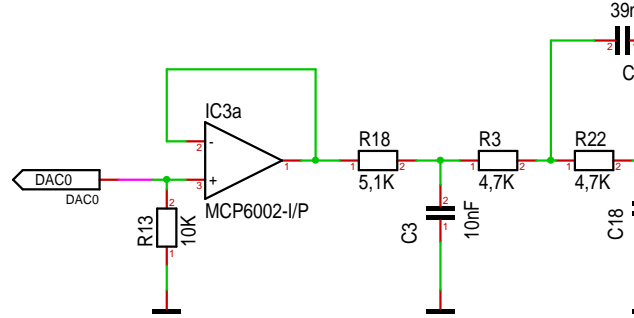
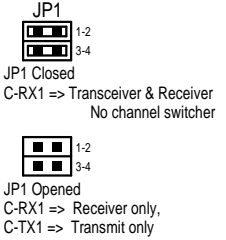


**Mini-DIN connectors**

like DVRPTR v1 or Kenwood TM451 Transceivers  
 Direct cable connection with Motorola adapter (F5UII)  
 C-RX1



**CONNECTOR SELECTOR**



Échelle	100.00%	<b>MMDVM STM32F4 v4</b>	Author	F5UII	Sheet	A4 1/1
Modification	POCSAG channel switching		Title MMDVM for STM32F4 with HCMOS TCXO inspired by K16ZUM, EB4FBZ, SP8NTH v6.2 Under licence CC by-nc-sa			
Édition	29-06-19	10:16				
Fichier	MMDVM STM32 F5UII v4.T3001		Project	MMDVM for STM32 Nucleo		