

Small Signal Switching Diode

SOD-123F, 75 V



FEATURES:

Silicon epitaxial planar switching diode
Fast switching

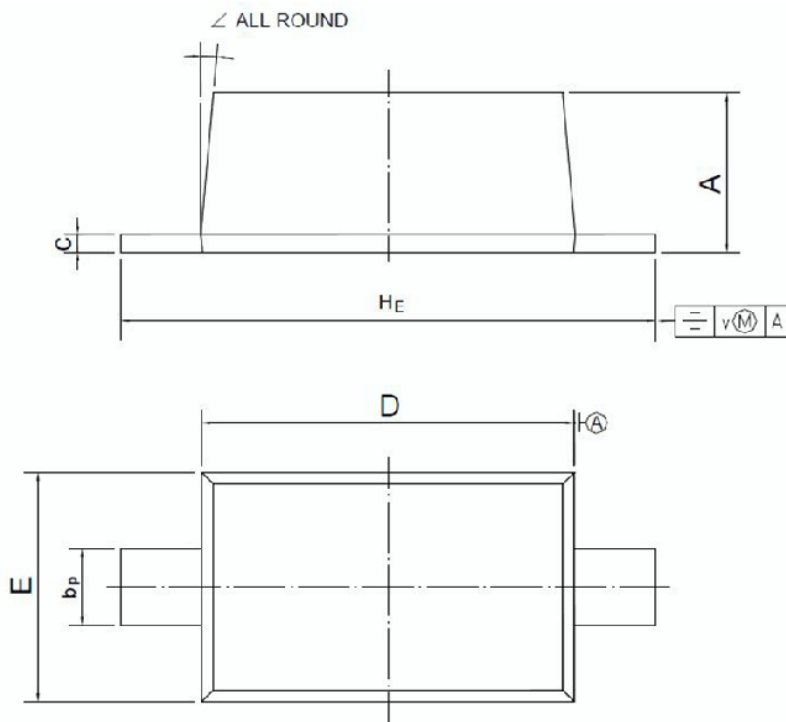
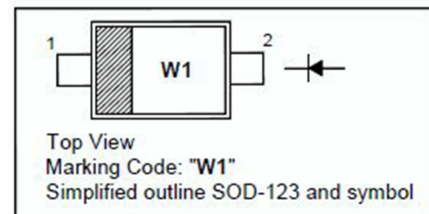
SPECIFICATION:

Off-state voltage	75 V
Conducting-state current	150 mA
Recovery time	4 ns
Housing type	SOD-123F
Conducting-state voltage	1.25 V
Operating temperature	-55...+150 °C
Power dissipation	400 mW
Capacitance	2 pF

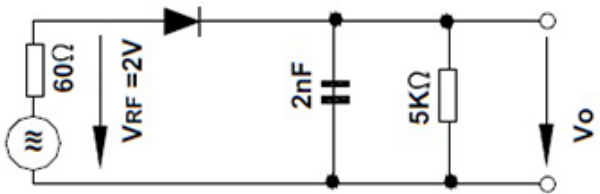


PINNING

PIN	DESCRIPTION
1	Cathode
2	Anode

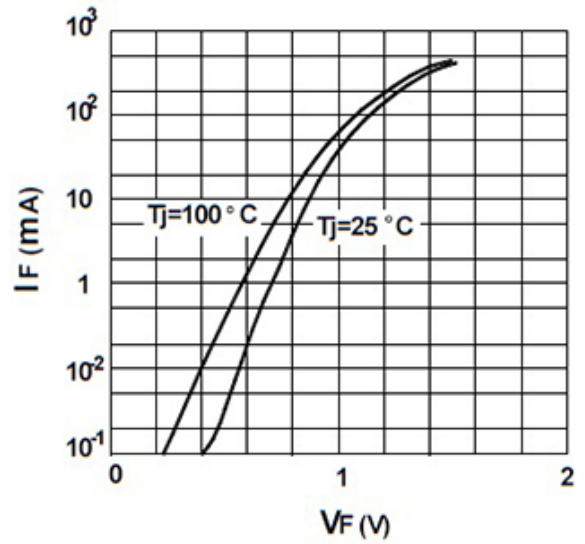


UNIT	A	b _p	c	D	E	H _E	v	∠
mm	1.15 1.05	0.6 0.5	0.135 0.100	2.7 2.6	1.65 1.55	3.85 3.55	0.2	5°

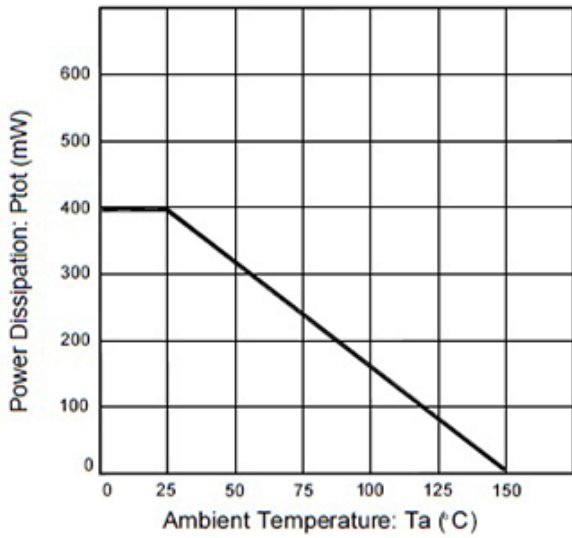


Rectification Efficiency Measurement Circuit

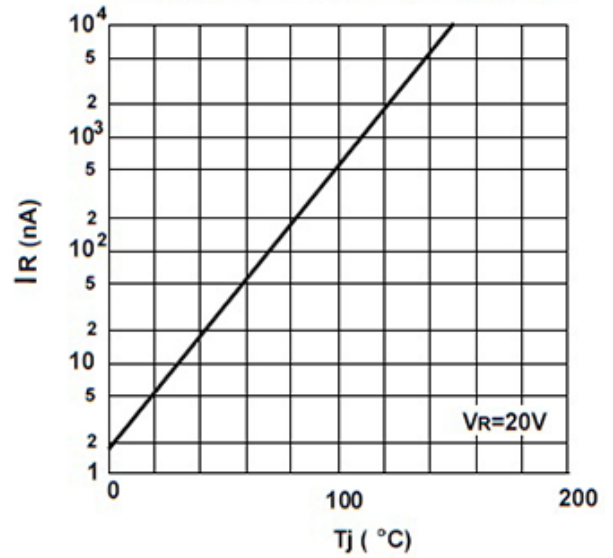
Forward characteristics



Power Dissipation vs Ambient Temperature



Leakage current vs. junction temperature



Reverse capacitance vs. reverse voltage

