

PS2 - Outside view

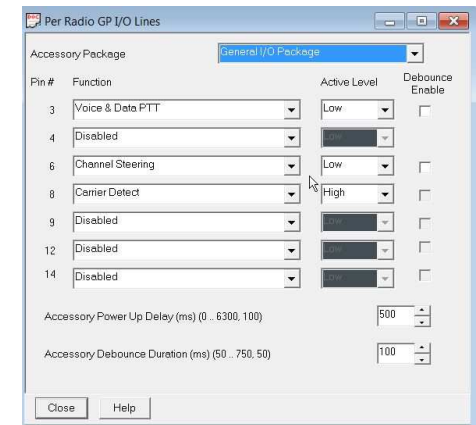
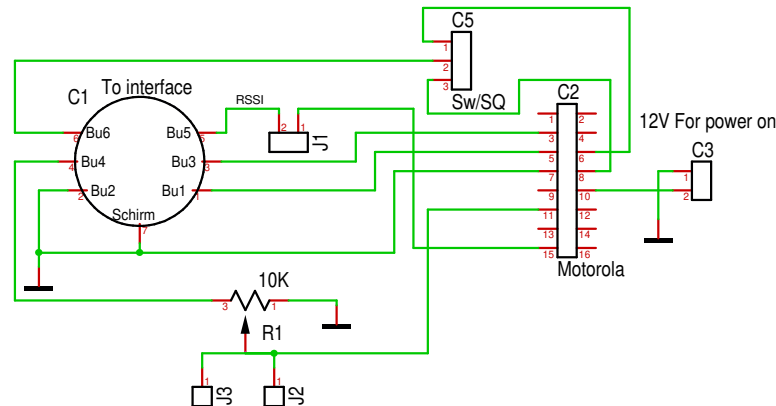
MMDVM Filter shield (F5UII)			Connection Motorola transceiver to MMDVM		Motorola 16 pins GM340, GM350*, GM360	
PS2 Pin N°	Signal	Wire color (PS2 cable shopchip)	RX Receiver	TX Transmitter		
1	Data terminal ==> flat TX audio input	Red		pin 5		
2	data ground	Orange	pin 7	pin 7		
3	PTT TX input	Brown		pin 3 (GP1)		
4	Data RX (flat) ==> terminal	Yellow	pin 11			
5 **	RSSI => terminal**	Black	pin 15	pin 15		
6	squelch radio output (COR)	Green	pin 8 (GP3)			
shielding	Ground	Uninsulated wire				
Connect to the + 12 V to switch on the TRX on voltage return (without activating power button)			pin 10	pin 10		

20	2	4	6	8	10	12	14	16	18
19	1	3	5	7	9	11	13	15	17

HLN9457a - Outside view

For GM360 pins 17,18,19,20 are not wired
The connector is centered

* For the 4-channel GM350, the wiring on the rear accessory plug is not realized. A mod exists.
** RSSI not provided on the filtering board MMDVM F5UII 07.2016 (future development)



Motorola GPIO settings panel

C1 : Mini Din 6 pin to MMDVM (or other) interface
C2 : Motorola GMxxx transceiver accessory connector
C3 : Permit to restart the transceiver when power supply is coming back after a hard shutdown. Place the 12V and GND from supply. Attention to polarities
C5 : Receiver Squelch on pin 8 (close 2-3 - Example SvxLink use). Transmitter with channel steering on pin 6 (Close 1-2 - example DAPNET use)
R1 : Adjustment for Rx Audio level coming from transceiver and send to the interface
J1 : Allow the RSSI signal coming from transceiver to the Pin 5 of mini Din.
J2, J3 are just holes that can be used to place fixed value resistors instead of R1 potentiometer

Date:	07-07-20	Scale:	100,00%	Project:	Interface for Motorola transceivers (Designed for example for MMDVM shield) https://www.f5uii.net/en/category/mmdvm/	Features	- Audio level adjustment - RSSI pin - Channel Steering on #6
Name:	Chris F5UII https://shop.f5uii.net https://www.f5uii.net	twitter :	@f5uii				
last Modification:	07.07.20	Edition	2.0				